

Barcode Positioning System BE901 - SSI



Ref.: K-BE901-SSI-1

23.04.2021

010204010099999999

Advantages

- Also for systems with curves
- Easy mounting / start-up
- Measures linear movements
- Optional with display
- Optional with heating (-35°C)
- Range of 0...10000 m
- Wear-free detection

General Data

| | |
|--------------------------------|---|
| Supply | |
| - Supply voltage | 18...30 VDC |
| - In case of UL / CSA approval | according to NEC Class 2 |
| - In case of UL / CSA approval | UL 60950-1 |
| - In case of UL / CSA approval | CSA C 22.2 No. 60950-1 |
| Current consumption no load | <= 200 mA |
| | <= 1.0 A with heating |
| Integrated heating | |
| - Equipment | Option |
| - Nominal voltage | 24 VDC ±25 % |
| - Structure | Housing heating |
| - Structure | separate heating of the optics |
| - Warmup time | <= 30 min at 24 VDC / -35 °C |
| - Wire cross-section | <= 0.75 mm ² , cable of U-Supply |
| Measuring range | 0...10.000.000 mm |
| Reproducibility | ± 0,05 mm (1 Sigma) |
| Response time | 8 ms |
| Measurand output/refresh rate | 0.05...1 ms |
| Following error calculation | 4 ms |
| Straight line velocity | 10 m/s |

Subject to change.

TR-Electronic GmbH
 Eglisshalde 6
 78647 Trossingen
 Tel. +49 (0) 7425 228-0
 info@tr-electronic.de
www.tr-electronic.de

Barcode Positioning System BE901 - SSI

Ref.: K-BE901-SSI-1

23.04.2021

010204010099999999

General Data continuation

| | |
|---------------------------------|-------------------------------|
| Light source | Red light |
| - Laser diode | |
| - Wave length λ | 655 nm |
| - Laser protection class | 1 |
| - International safety standard | IEC/EN60825-1 :2014 |
| - Life time | 100 000 h, 25 °C |
| - Beam deflection | rotating polygon wheel |
| - Exit window | Glass |
| - Working range | 50...170 mm |
| SSI - Interface | |
| - SSI-Clock input | Optocoupler |
| - SSI-Data output | RS-422, 2-wire |
| - SSI-Clock frequency | 50...800 kHz |
| - SSI-Mono time, typically | 20 μ s |
| - SSI-Mono time, typically | 30 μ s |
| Configuration interfaces | |
| - For service purposes | USB 2.0 Type Mini-B socket |
| Parameter/Function, changeable | Resolution |
| | Measurement value output time |
| | Response time |
| | Operating range |
| | Limit switch |
| | Preset parameter |
| | Interface parameter |
| | Counting direction |
| | Velocity parameter |
| Type of parametrization | programmable |
| Programming - Tool | TR-Soft: Config Tool |
| External inputs | |
| - Type of parametrization | programmable |
| - Logic level | "0" < +2V, "1" = Supply |
| - Number of inputs | 2 |
| - Polarity protection | yes |
| External outputs | |
| - Output level | Supply voltage, <= 60 mA |
| - Type of parametrization | programmable |
| - Number of outputs | 2 |
| - Short-circuit proof | yes |
| - Polarity protection | available |

Subject to change.

Barcode Positioning System BE901 - SSI

Ref.: K-BE901-SSI-1

23.04.2021

010204010099999999

General Data continuation

| | |
|--|--------------------------------|
| Housing - Material | Aluminum pressure casting |
| Mass, typically | 0.58 kg without connection cap |
| Required connection equipment - Connection hood | must be ordered separately |
| - M12 Connector BE901 MS SSI | Art.-No.: 40804-21001 |
| - Cable gland BE901 MK SSI | Art.-No.: 40804-21002 |

Environmental conditions

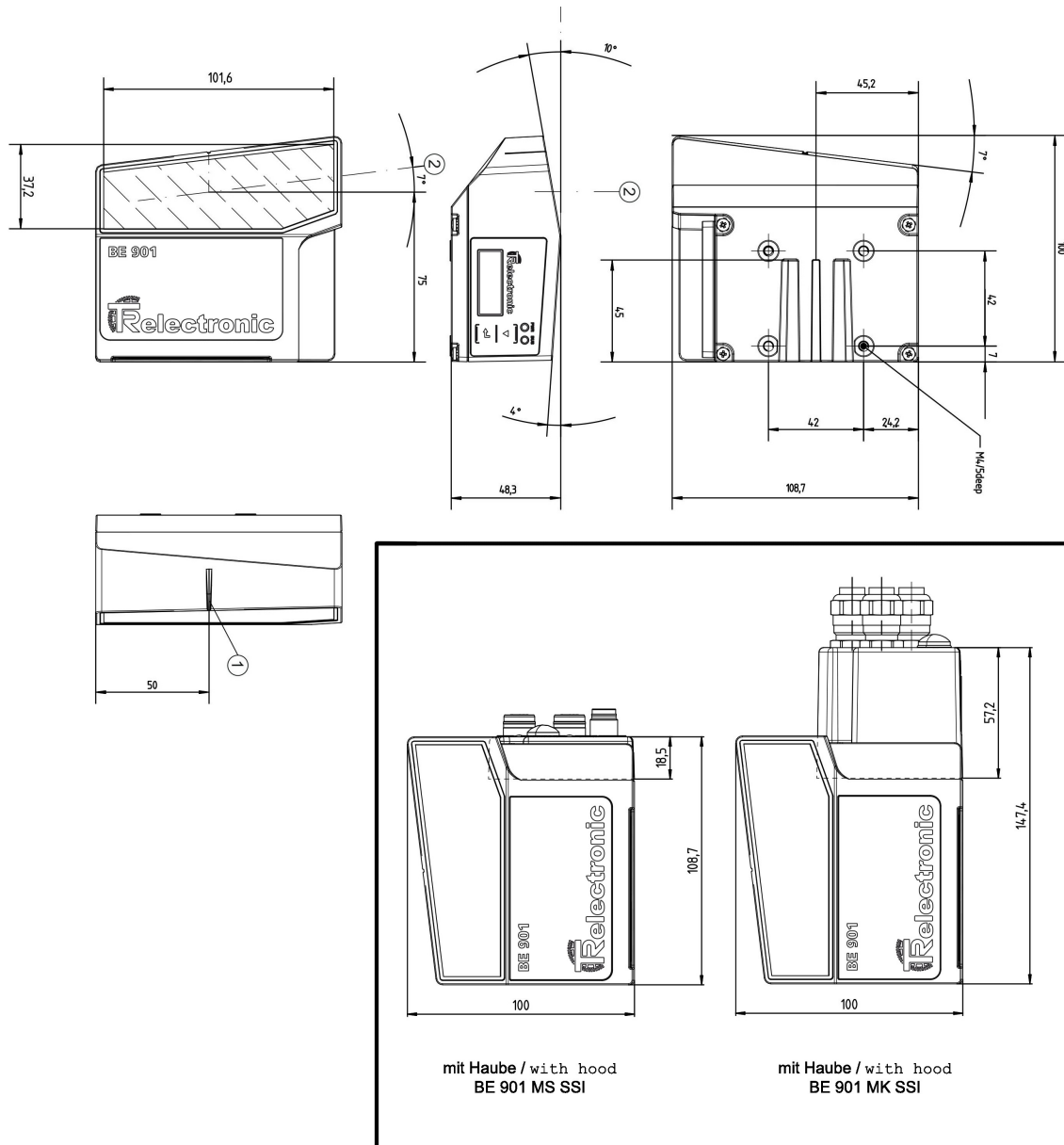
| | |
|-----------------------------------|-------------------------|
| Vibration | IEC 60068-2-6, Test Fc |
| Shock | IEC 60068-2-27, Test Ea |
| Immunity to disturbance | DIN EN 61000-6-2 |
| Transient emissions | DIN EN 61000-6-3 |
| Working temperature - Standard | -5...+50 °C |
| - Optional | -35...+50 °C; |
| Storage temperature, dry | -35...+70 °C |
| Relative humidity | 90 %, non condensing |
| Protection class - Standard | IP65 |

Subject to change.

Barcode Positioning System BE901 - SSI

Ref.: K-BE901-SSI-1
 23.04.2021
 010204010099999999

Dimensional drawing



Subject to change.

Barcode Positioning System BE901 - SSI

Ref.: K-BE901-SSI-1

23.04.2021

010204010099999999

Suggested products

| | |
|--|-------------|
| BE 901 SSI | 40804-11000 |
| BE 901 SSI D H MIT DISPLAY UND HEIZUNG | 40804-11001 |
| BE 901 SSI D MIT DISPLAY | 40804-11002 |
| BE 901 MS SSI ANSCHLUSSHAUBE 2 X M12 | 40804-21001 |
| BE 901 MK SSI ANSCHLUSSHAUBE 2 X KV | 40804-21002 |

Subject to change.